

# NEW SILVER D 3/200 ÷ 20/500

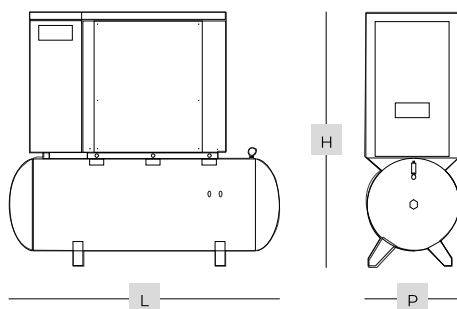
Trasmissione a cinghia / *Belt drive*

**Compressori d'aria silenziosi rotativi a vite integrati con serbatoio ed essiccatore**

*Silent encapsulated rotary screw compressors tank mounted with dryer*




La stazione d'aria completa  
*Full features air station*

HIGH EFFICIENCY  
**MOTOR IE3**  
da 10 HP / from 10 HP



**4.900 € + iva**

Modulo: compressore + serbatoio + essiccatore  
*Module: compressor + tank + dryer*

Type	Code										LxPxH			
		EAN CODE	l	dB (A)	l/min	CFM	m <sup>3</sup> /h	bar	psi	BSP	HP	kW	mm in	kg lb
NEW SILVER D 3/200	1121730322	on request			320	11.3	19,2	8	116					
	1121730323	on request	200	63	280	9.9	16,8	10	145	1/2"	3	2,2	1532x572x1225 60.3x22.5x48.2	231 514
	1121730324	on request			240	8.5	14,4	13	189					
NEW SILVER D 3/300	1121730325	on request			320	11.3	19,2	8	116					
	1121730326	on request	270	63	280	9.9	16,8	10	145	1/2"	3	2,2	1631x572x1274 64.2x22.5x50.2	241 536
	1121730327	on request			240	8.5	14,4	13	189					
NEW SILVER D 4/200	1121730328	on request			490	17.3	29,4	8	116					
	1121730329	on request	200	64	415	14.7	24,9	10	145	1/2"	4	3	1532x572x1225 60.3x22.5x48.2	233 518
	1121730330	on request			350	12.4	21	13	189					
NEW SILVER D 4/300	1121730331	on request			490	17.3	29,4	8	116					
	1121730332	on request	270	64	415	14.7	24,9	10	145	1/2"	3	2,2	1631x572x1274 64.2x22.5x50.2	243 540
	1121730333	on request			350	12.4	21	13	189					
NEW SILVER D 5,5/200*	1121690136	on request			560	19.8	33,6	8	116					
	1121690137	on request	200	65	450	15.9	27	10	145	1/2"	5,5	4	1532x572x1225 60.3x22.5x48.2	235 522
	1121690138	on request			400	14.1	24	13	188					
NEW SILVER D 5,5/300*	1121690140	on request			560	19.8	33,6	8	116					
	1121690146	on request	270	65	450	15.9	27	10	145	1/2"	5,5	4	1631x572x1274 64.2x22.5x50.2	245 544
	1121690147	on request			400	14.1	24	13	188					
NEW SILVER D 7,5/300	1121690148	on request			820	29	49,2	8	116					
	1121690149	on request	270	66	720	25.4	43,2	10	145	1/2"	7,5	5,5	1631x572x1274 64.2x22.5x50.2	252 560
	1121690150	on request			640	22.6	38,4	13	188					
NEW SILVER D 7,5/500	1121690157	on request			820	29	49,2	8	116					
	1121690158	on request	500	66	720	25.4	43,2	10	145	3/4"	7,5	5,5	2038x600x1367 80.2x23.6x53.8	295 655
	1121690159	on request			640	22.6	38,4	13	188					
NEW SILVER D 10/300	1121690151	on request			950	33.5	57	8	116					
	1121690152	8020119068854	270	67	860	30.4	51,6	10	145	1/2"	10	7,5	1631x572x1274 64.2x22.5x50.2	257 571
	1121690153	on request			690	24.4	41,4	13	188					
NEW SILVER D 10/500	1121690160	on request			950	33.5	57	8	116					
	1121690161	on request	500	67	860	30.4	51,6	10	145	1/2"	10	7,5	2038x600x1367 80.2x23.6x53.8	300 667
	1121690162	on request			690	24.4	41,4	13	188					
NEW SILVER D 10S/300	1121730282	on request			1180	41.6	70,8	8	116					
	1121730283	on request	300	64	1000	35.3	60	10	145	3/4"	10	7,5	1631x700x1353 64.2x27.6x53.3	365 811
	1121730284	on request			800	28.2	48	13	188					
NEW SILVER D 10S/500	1121730285	on request			1180	41.6	70,8	8	116					
	1121730286	on request	500	64	1000	35.3	60	10	145	3/4"	10	7,5	2038x630x1430 80.2x27.6x56.9	390 866
	1121730287	on request			800	28.2	48	13	188					
NEW SILVER D 15/300	1121680300	on request			1560	55.1	93,6	8	116					
	1121680301	8020119099957	270	65	1430	50.5	85,8	10	145	3/4"	15	11	1631x700x1353 64.2x27.6x53.3	365 811
	1121680302	on request			1210	42.7	72,6	13	188					
NEW SILVER D 15/500	1121680306	on request			1560	55.1	93,6	8	116					
	1121680307	on request	500	65	1430	50.5	85,8	10	145	3/4"	15	11	2038x700x1446 80.2x27.6x56.9	390 866
	1121680308	on request			1210	42.7	72,6	13	188					
NEW SILVER D 20/300	1121680303	on request			2010	71	120,6	8	116					
	1121680304	on request	270	67	1900	67.1	114	10	145	3/4"	20	15	1631x700x1353 64.2x27.6x53.3	392 871
	1121680305	on request			1670	59	100,2	13	188					
NEW SILVER D 20/500	1121680309	on request			2010	71	120,6	8	116					
	1121680310	on request	500	67	1900	67.1	114	10	145	3/4"	20	15	2038x700x1446 80.2x27.6x56.9	438 973
	1121680311	on request			1670	59	100,2	13	188					

D = con essiccatore / with dryer

\* Avviamento diretto / DOL start up

Alimentazione standard 400V/50Hz/3 / Standard input 400V/50Hz/3

Disponibili versioni / Version available: 230V/50Hz/3 - 220V/60Hz/3 - 380V/60Hz/3 - 460V/60Hz/3